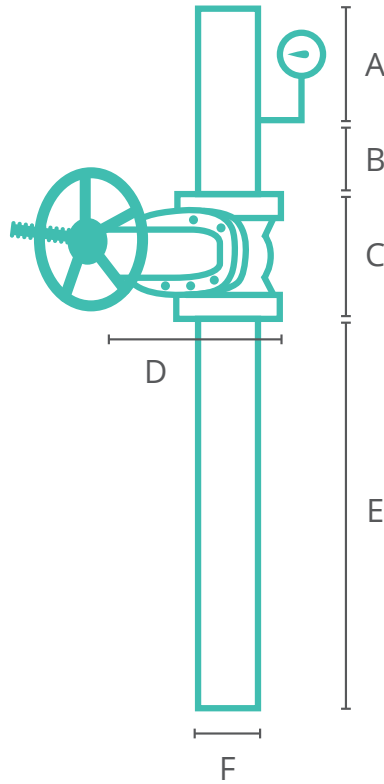


BACKFLOW BAGMAN

Measuring Tool

FIRE RISER



Personal Information

FIRST NAME	LAST NAME	
PHONE NUMBER	EMAIL ADDRESS	
ADDRESS		
CITY	STATE	ZIP CODE

I certify that the above listed measurements are the actual dimensions of the device in the field.

SIGNATURE	DATE
-----------	------

Device Measurements

MEASUREMENT A
MEASUREMENT B
MEASUREMENT C
MEASUREMENT D
MEASUREMENT E
MEASUREMENT F

Mail completed form to: 11251 Coloma Road, Gold River, CA 95670

Need help? Call 916.524.3109 to schedule a free appointment.