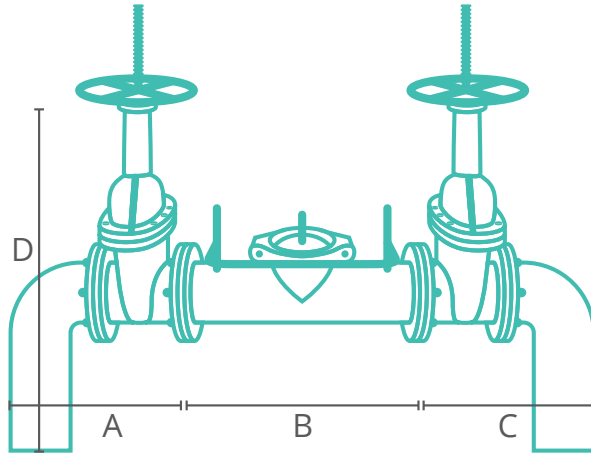


BACKFLOW BAGMAN

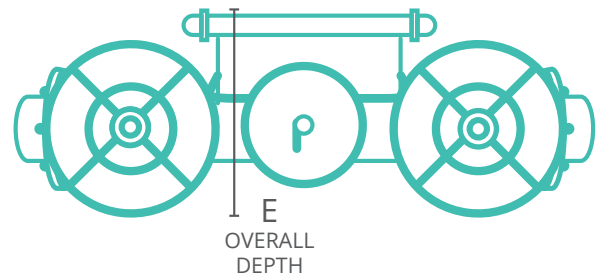
Measuring Tool

LARGE DEVICE FORM

SIDE VIEW



TOP VIEW



Personal Information

FIRST NAME		LAST NAME	
PHONE NUMBER		EMAIL ADDRESS	
ADDRESS			
CITY	STATE	ZIP CODE	

Device Measurements

MEASUREMENT A
MEASUREMENT B
MEASUREMENT C
MEASUREMENT D
MEASUREMENT E

I certify that the above listed measurements are the actual dimensions of the device in the field.

SIGNATURE	DATE
-----------	------

Mail completed form to: 11251 Coloma Road, Suite G Gold River, CA 95670

You can also email it to us at info@backflowbagman.com

Need help? Call 916.827.0066 to schedule a free appointment.